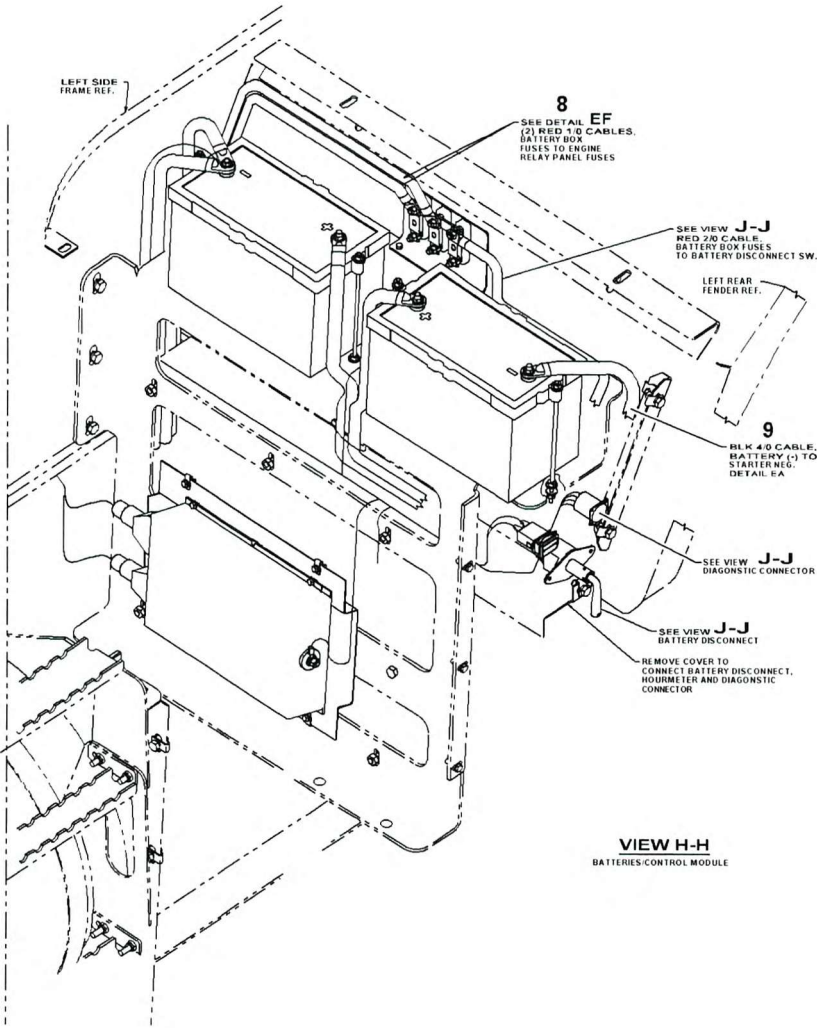
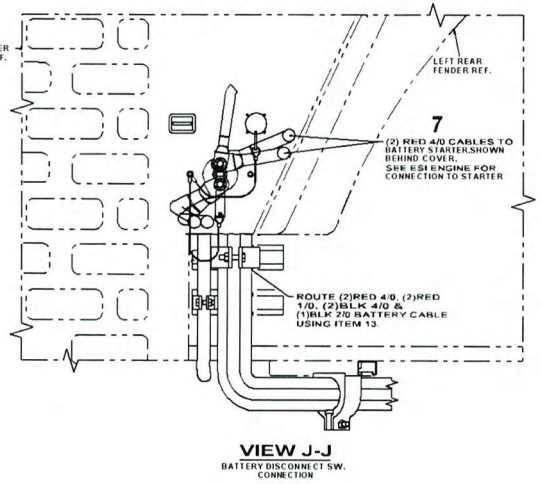


# Manitowoc Crane Group

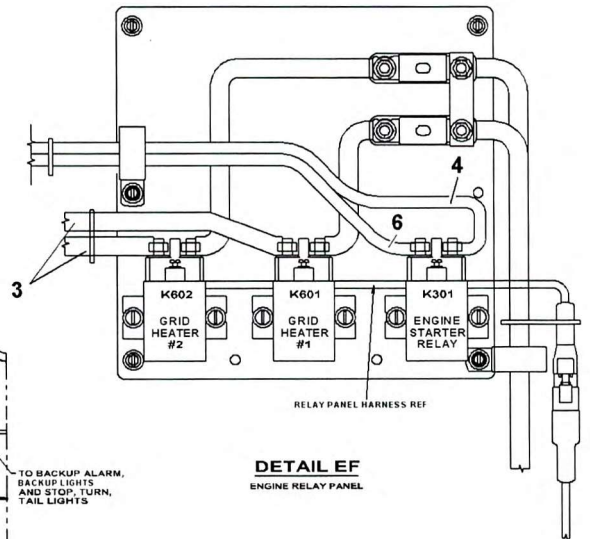
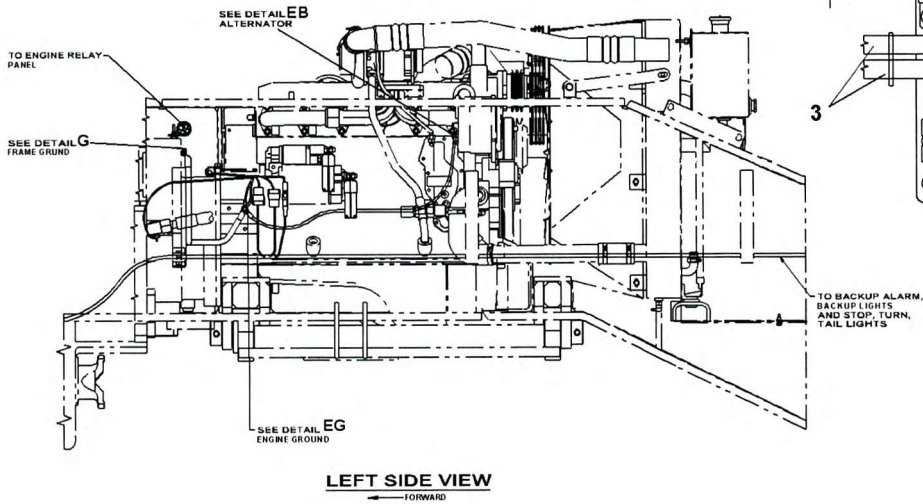
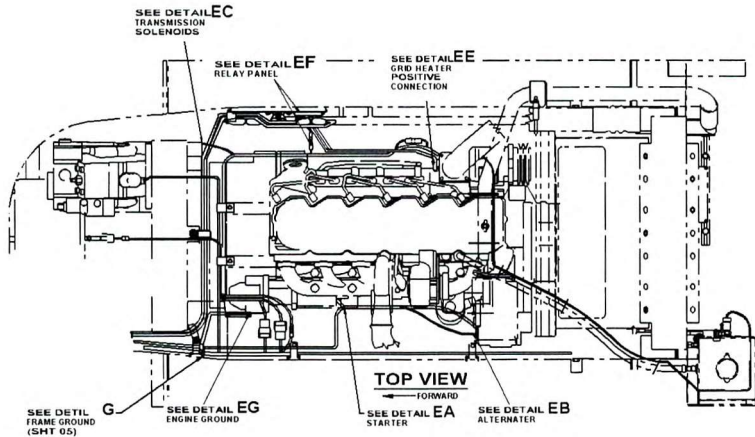


**VIEW H-H**  
BATTERIES-CONTROL MODULE



**VIEW J-J**  
BATTERY DISCONNECT SW. CONNECTION

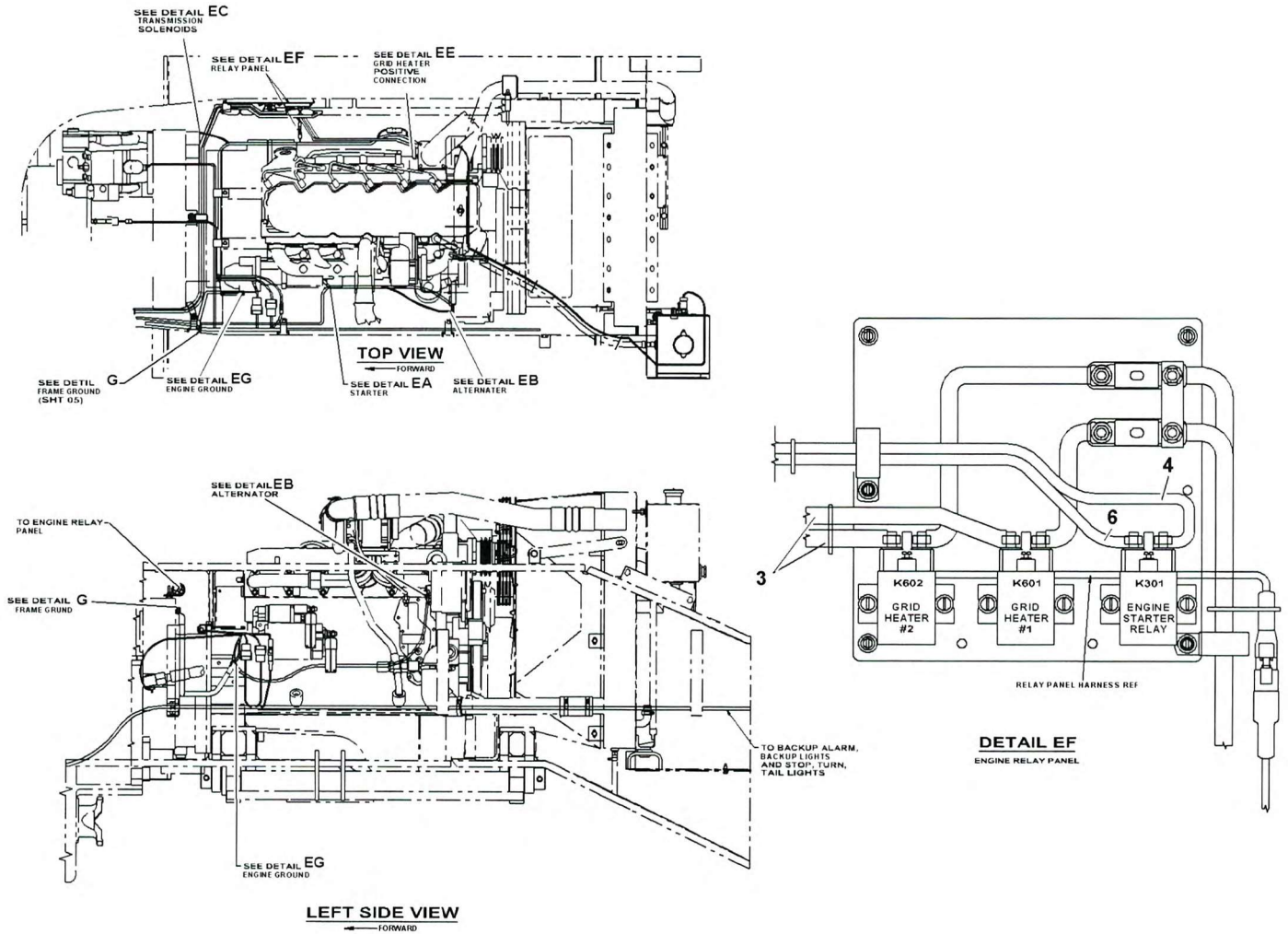
# Manitowoc Crane Group



7246100378

(SHEET 2 OF 4)

# Manitowoc Crane Group



7246100378

(SHEET 1 OF 4)

Page 286